

Z1

Fingerprint lock enable with RFID technology



Appearance
304 stainless steel,
compact and modern



Fingerprint
BioID fingerprint sensor,
with advanced algorithm



Password
Random password
for more security



Voice Guide
Easy to program



RFID card
Support either ID card
or Mifare card function



Anti-theft Mortise
Upward to lock
the deadbolt



Smart Alarm
Low battery
& illegal operation warning



USB Port
Data upload & download



Passage
Support Passage mode

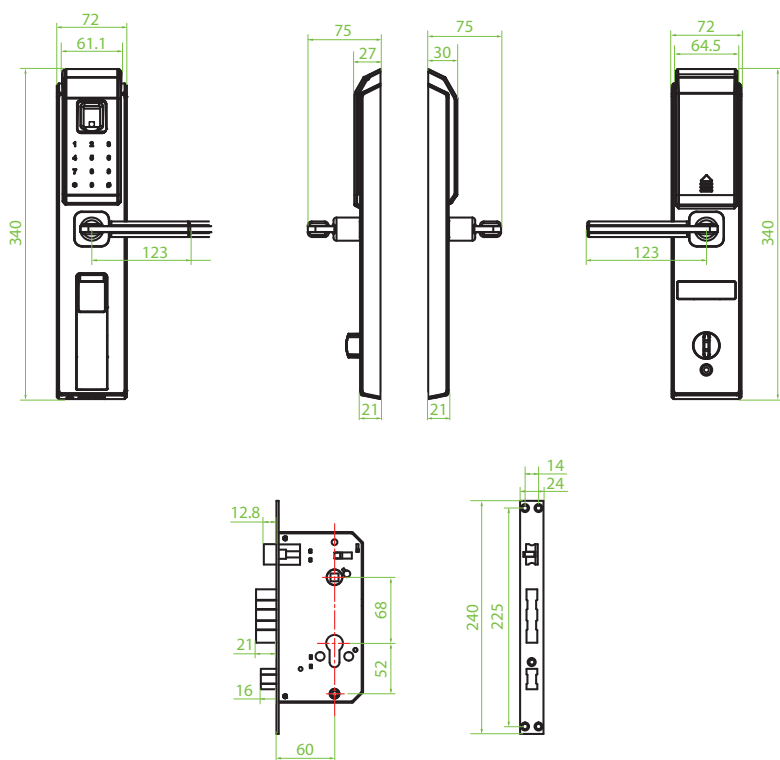


Battery
Back-up power port from
a 9V battery

Specifications

Materials	304 Stainless steel
100 users	Fingerprint/password/card
Card Module	Mifare (optional)
Communication	USB
Power Supply	4*AA Alkaline battery
Door Thickness	35-55 mm
Dimensions	Front: 340*72*30mm
	Back: 340*72*27mm

Dimensions



Sliver



Antique copper



ZKTECO CO.,LTD.
www.zkteco.com
 E-mail: sales@zkteco.com

© Copyright 2017. ZKTECO CO.,LTD. ZKTeco Logo is a registered trademark of ZKTeco or a related company. All other product and company names mentioned are used for identification purposes only and may be the trademarks of their respective owners. All specifications are subject to change without notice. All rights reserved.