

LP600

Fingerprint Time Attendance Terminal



LP600 is a new time attendance device with built-in backup battery and printing function. Under the ZKTeco newest fingerprint algorithm and self-developed high performance hardware, LP600 will provide the best quality and privilege user experience. Built-in backup battery can guarantee

the time attendance function work perfectly during a power outage situation. Built-in printing function allows you to get a hard-copy attendance records every time right after you check in/out. If you are facing frequent power outage problems, LP600 would be the perfect solution.

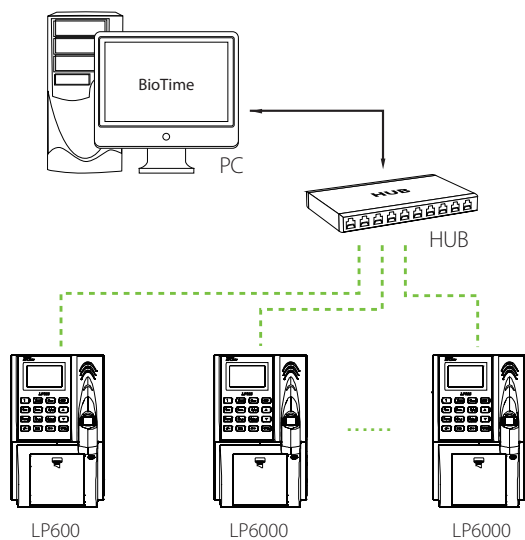
Feature

- Built-in printer, instant attendance records print out, without any separate printer configuration.
- Built-in backup battery: preventing data loss due to sudden power outage.
- Wireless connection, optional built-in WiFi module, smoothly deal with any installation scenario.
- Optional language, English and Spanish.

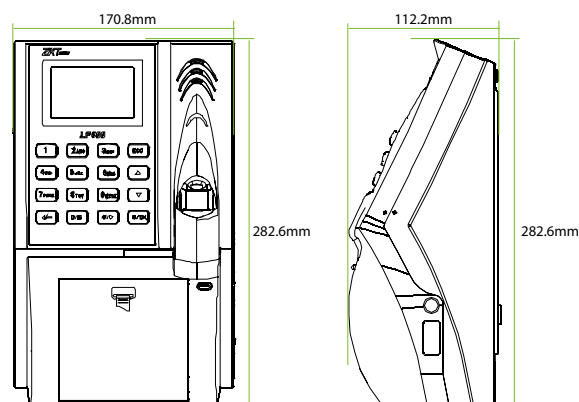
Specifications

Fingerprint Capacity	3,000 (2500 With Wi-Fi)
ID Card Capacity	10,000 (Optional)
Record Capacity	100,000
User Capacity	10,000
Display	3-inch TFT Screen
Communication	TCP/IP, USB-Host
Standard Functions	Work Code, DST, Scheduled-bell, Self-Service Query, Automatic Status Switch, T9 Input, ADMS
Optional Functions	ID/Mifare, Wi-Fi, Backup Battery
Software	BioTime
Power Supply	DC12V 3A
Verification Speed	≤0.5 Sec.
Operating Temp.	0°C ~ 45°C
Operating Humidity	20% ~ 80%
Dimension	170.8×282.6×112.2 mm (Length×Width×Thickness)
Net Weight	1110 G

Configuration



Dimensions (mm)



ZKTeco Middle East
 E-mail: zk_me@zkteco.com
www.zkteco.me

© Copyright. ZKTeco Inc. ZKTeco Logo is a registered trademark of ZKTeco or a related company. All other product and company names mentioned are used for identification purposes only and may be the trademarks of their respective owners. All specifications are subject to change without notice. All rights reserved.

